

VS1-12系列户内固封式高压真空断路器

Indoor Solid-encapsulated HV Vacuum Circuit Breaker



产品概述 General



VS1-12户内固封式高压真空断路器(以下简称断路器)是三相交流50Hz, 额定电压为7.2-12kV的户内高压开关设备。断路器符合我国国家标准GB/T2003《交流高压断路器》、JB2008《3.6-40.5kV户内交流高压真空断路器》和相关的IEC标准,并具有可靠的联锁功能。断路器设计前后分装结构,既可作为固定安装的单元,也可与底盘车配装作单独的手车使用。

VS1-12 indoor solid-encapsulated HV vacuum circuit breaker(hereinafer referred to as circuit breaker)is an indoor three-phase AC high-voltage switchgear of 50Hz and rated voltage 7.2-12kV. This circuit breaker accords with our national standards like GB/T1984 Alternating Current High-voltage Circuit Breaker,JB3855 3.6~40.5kV Indoor Alternation Current High-voltage Vacuum Circuit Breaker as well as relevant IEC standards, it has the reliable interlocking function. Designed into fore and rear separate structure, it is used as the unit for fixed installation. in addition, it can be assembled with the chassis, as the individual handcart.

结构及特点 Structure and Features

1. 采用成熟的APG工艺, 利用先进的环氧固封技术, 将真空灭弧室主导电回路、绝缘支撑等有机地组合成为一个集成固封极柱, 真空灭弧室表面不受环境的影响, 真正实现免维护;
2. 超低阻型真空灭弧满足大电流型号的温升要求, 并降低了电能损耗;
3. 操作机构采用模块式弹簧操作机构, 结构精简, 性能稳定;
4. 小型化设计, 相间距离缩小30-60mm。

1. Employing the mature APG technique and advanced epoxy-resin solid encapsulation technology, the vacuum arc-extinguishing chamber, main conductive circuit, insulating support, etc. are combined organically to form a integrated solid-encapsulated pole, the surface of vacuum arc-extinguishing chamber is not affected with the environment,so as to really realize the maintenance free;
2. Ultra-low-resistance type vacuum interruption meets the requirements of temperatur rise of large current type,and lowers the energy loss;
3. Owing to the modular spring operating mechanism, it presents the simple structure and stable performance;
4. Miniature design,the phase-to-phase distance is shorten by 30-60mm.

主要技术参数 Main technical parameters

项目 Item	单位 Unit	参数 Parameterers			
额定电压 Rated voltage	kV	12			
额定频率 Rated frequency	Hz	50			
额定雷电冲击耐受电压(峰值) Rated lightning impulse withstand voltage(peak)	kA	对地/相间/75/85			
额定1 min 工频耐受电压(有效值) Rated (1 min)line frequency withstand voltage(effective value)	kA	对地/相间/45/48			
额定电流 Rated current	A	630	1250	2500	3150 4000
额定短路开断电流 Rated short circuit breaking current	kA	20	25	31.5	31.5 40
额定峰值耐受电流 Rated peak withstand current	kA	63	63	80	100
额定短时耐受电流(4S) Rated short time withstand current	kA	20	25	31.5	40
额定短路关合电流(峰值) Rated short circuit closing current(peak)	kA	50	63	80	100

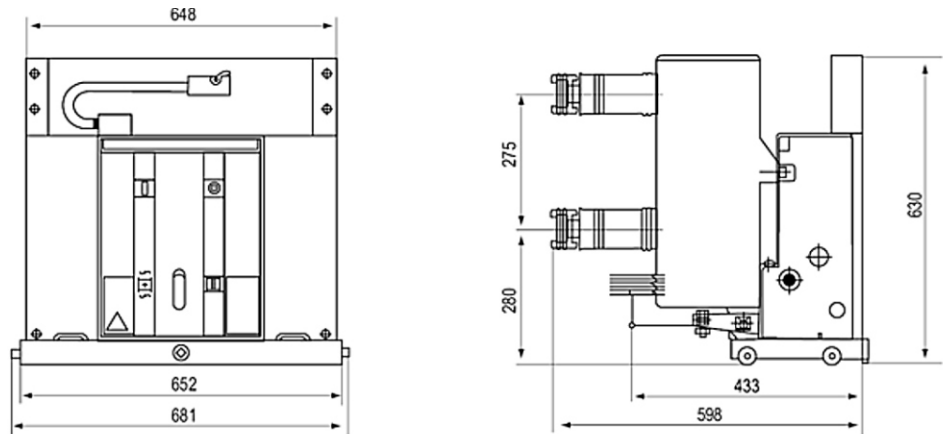


VS1-12系列户内固封式高压真空断路器
Indoor Solid-encapsulated HV Vacuum Circuit Breaker

续上表 Continued

项目 Item	单位 Unit	参数 Parameters
额定短路电流持续时间 Rated duration of short circuit current	S	4
二次回路工频耐受电压 (1min) Closing bouncing time	V	2000
机械寿命 Mechanical Life	次 times	20000 10000
额定操作顺序 Rated operating sequence		分-t合分-t1合分

外形尺寸及安装尺寸 Outline and installation dimension



(断路器外形尺寸图)
Drawing of Circuit Breaker outline dimensions